

SAN FRANCISCO



ESTUARY  
PARTNERSHIP



# San Pablo Avenue: Green Street Demonstration Projects

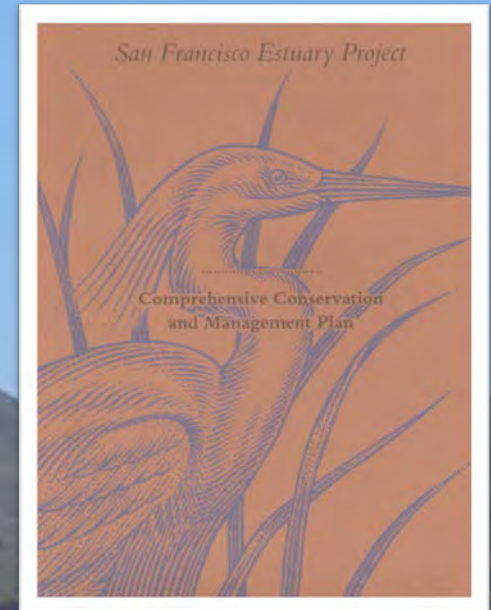
October 25, 2012

Joshua Bradt



# San Francisco Estuary Partnership

- Collaborative
- Non-regulatory Public Agency
- Create and manage the *Comprehensive Conservation and Management Plan*





# Green Street Project Goals

- Demonstrate Buildable, Functional Green Retrofits
- Improve Water Quality
- Increase Public Awareness
- Increase Municipal/County Acceptance of Approach





## El Cerrito Rain Garden Sites (Pre-Construction)





# EL CERRITO RAIN GARDENS - CONSTRUCTION



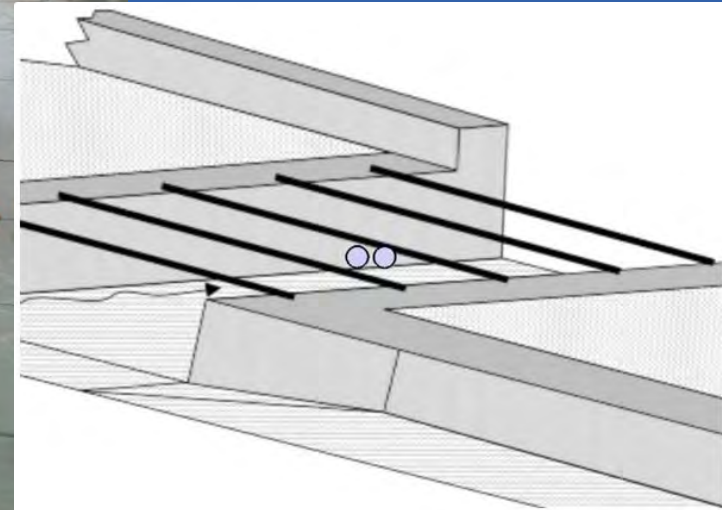


# Eureka Site: Year 1, Post-Construction





# Wet Weather Monitoring – Spring 2012





# Eureka Site: Year 2, Post-Construction





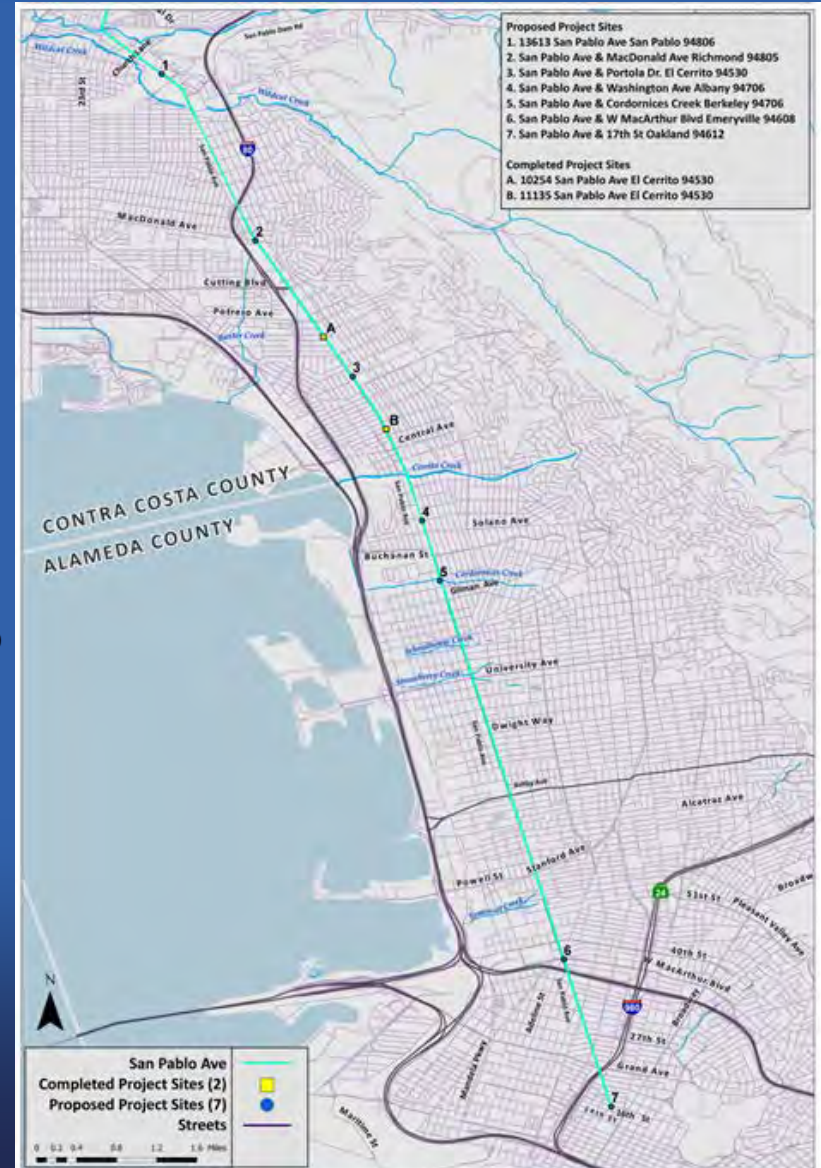


# Madison Site: Year 2, Post-Construction



# Green Stormwater Spine Project Preview

- Implement green retrofits in 7 cities along San Pablo Ave
- Treat 7 acres of impervious surface (min.)
- Emphasis on vegetated approaches in public right-of-way





<b>Major Project Tasks</b>	<b>Estimated Timeline</b>
<b>Design &amp; Engineering</b>	<b>Spring 2013</b>
<b>Construction</b>	<b>Summer-Winter 2013</b>
<b>Water Quality Monitoring</b>	<b>Fall 2012 - 2015</b>
<b>Plant Establishment</b>	<b>Spring 2014-Fall 2015</b>
<b>Model Ordinance</b>	<b>Fall 2014</b>
<b>Regional Outreach</b>	<b>On-going-Dec 2015</b>

SAN FRANCISCO



**ESTUARY**  
PARTNERSHIP



[www.sfestuary.org](http://www.sfestuary.org)

**Josh Bradt**

[jbradt@waterboards.ca.gov](mailto:jbradt@waterboards.ca.gov)

**510.622.5048**

